

Janitorial Trolley Cart

IMPORTANT! PLEASE READ THESE INSTRUCTIONS CAREFULLY. NOTE ALL SAFETY INSTRUCTIONS AND WARNINGS. USE THE PRODUCT CORRECTLY AND WITH CARE FOR THE PURPOSE FOR WHICH IT IS INTENDED. FAILURE TO FOLLOW THESE INSTRUCTIONS MAY CAUSE DAMAGE TO PROPERTY AND/OR PERSONAL INJURY.

PLEASE KEEP THESE INSTRUCTIONS SAFE AND AVAILABLE FOR FUTURE REFERENCE.

CERTIFICATE OF GUARANTEE

This product is guaranteed for a period of 1 Year, with effect from the date of purchase and applies only to the original purchaser. This guarantee only applies to defects arising from, defective materials and or faulty workmanship that become evident during the guarantee period only and does not include consumable items. The manufacturer will repair or replace the product at their discretion subject to the following. That the product has been used in accordance with the guidelines as detailed in the product manual and that it has not been subjected to misuse, abuse or used for a purpose for which it was not intended. That it has not been taken apart or tampered with in any way whatsoever or has been serviced by unauthorised persons or has been used for hire purposes. Transit damage is excluded from this guarantee. Claims made under this guarantee must be made in the first instance, directly to the retailer within the guarantee period. Only under exceptional circumstances should the product be returned to the manufacturer. In this case it may be the consumer's responsibility to return the product at their cost ensuring that the product is adequately packed to prevent transit damage and must be accompanied with a brief description of the fault and a copy of the receipt or other proof of purchase. The manufacturer shall not be liable for any special, exemplary, direct, indirect, incidental or consequential loss or damage under this guarantee.

INTRODUCTION

Thank you for purchasing this product which has passed through our extensive quality assurance process. Every care has been taken to ensure that it reaches you in perfect condition. However, in the unlikely event that you should experience a problem, or if we can offer any assistance or advice please do not hesitate to contact our customer care department.

Safety First

Before attempting to operate this product the following basic safety precautions should always be taken to reduce the risk of fire, electric shock and personal injury. It is important to read the instruction manual to understand the application, limitations and potential hazards associated with this product.

HELPLINE & SPARE PARTS

In the unlikely event of a defect occurring please contact our Helpline.
Office hours: Monday - Friday 9:00am - 5:00pm. Telephone Number 01332 576 850

INTENDED USE

Janitorial trolley cart with 4 shelves. Ideal for diagnostics and general use around the workshop. Compact in design with tough industrial powder coating finish. 4 open shelves and a lockable compartment; makes it suitable for storing laptops, testers, leads and battery chargers. Easily manoeuvrable with ergonomic side handles and 2 x front steering swivel castors and 2 x rear fixed castors. Supplied with side tray and paper towel holder.

SAFETY INSTRUCTIONS

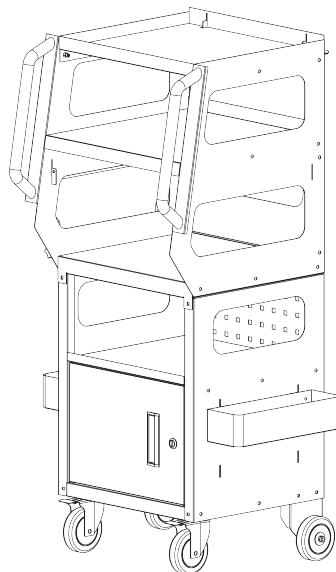
WARNING!

Ensure Health & Safety, local authority, and general workshop practice regulations are adhered to when using this storage system.

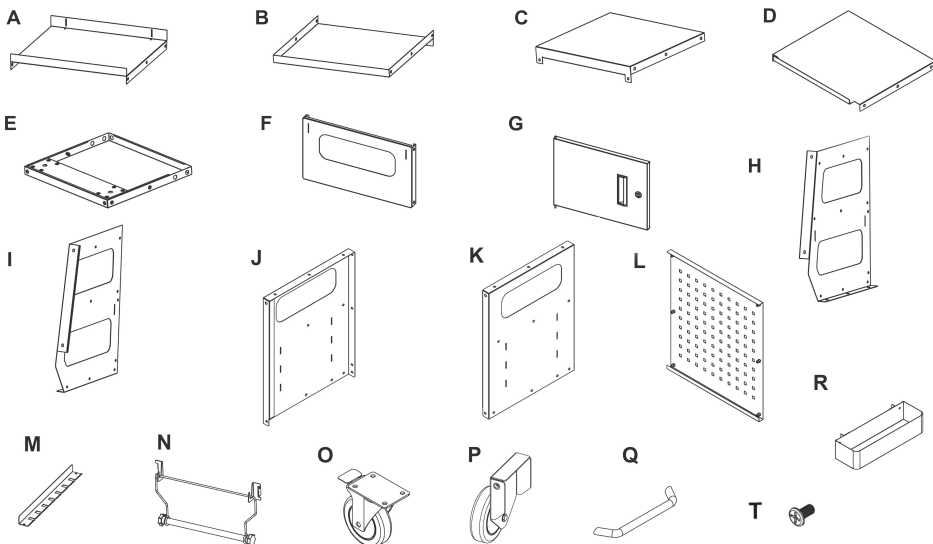
- Locate in a suitable work area.
- Keep the work area clean, uncluttered and ensure there is adequate lighting. **WARNING!** Use storage on level and solid ground, preferably concrete.
- Keep the storage system clean and tidy in accordance with good workshop practice.
- Keep children and unauthorised persons away from the work area.
- **DO NOT** use the storage system for any purpose other than that for which it is designed. **DO NOT** use the storage system outdoors.
- **DO NOT** place the storage system in a damp or wet location or an area where there is condensation.
- **DO NOT** clean the storage system with any solvents which may damage the surfaces or the protective coating.
- **DO NOT** step on the shelves.
- **DO NOT** overload the storage system.

ASSEMBLY PARTS BREAKDOWN

No.	Description	Qty
A	Top shelf	1
B	Shelf	1
C	Shelf	1
D	Bottom shelf	1
E	Bottom pane	1
F	Back panel	1
G	Door	1
H	Top left side panel	1
I	Top right side panel	1
J	Bottom left side panel	1
K	Bottom right side panel	1
L	Pegboard	1
M	Tool holder	1
N	Paper towel holder	1
O	Swivel castor 4" x 1" with brake	2
P	Castor without brake	2
Q	Side handle	2
R	Can holder	2
T	Bolt M6 x 12	66



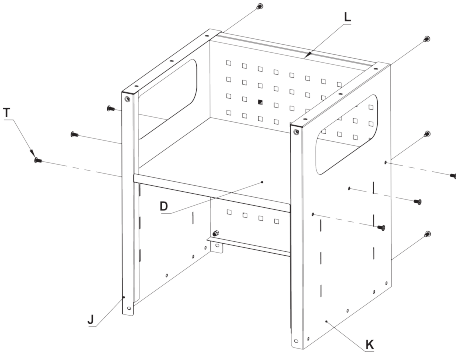
Contents



ASSEMBLY

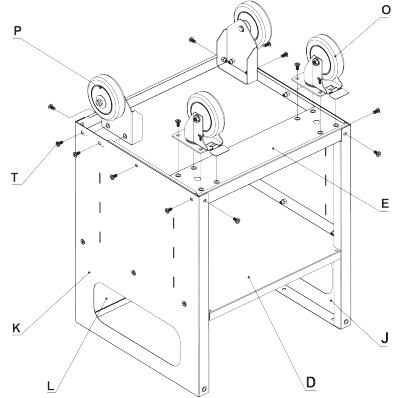
Step 1

Attach the bottom left side panel (J), bottom right side panel (K) and pegboard (L) to the bottom shelf (D). Secure using M6 x 12mm bolts (T). Quantity (T) 12 PCS.



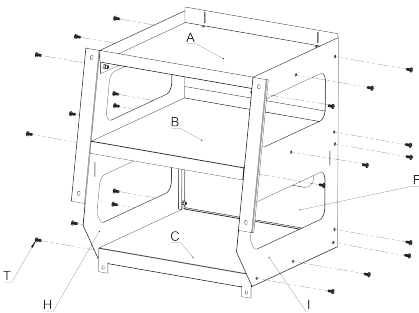
Step 2

Connect the assembled side structure (J, K, L) to the base assembly (E). Secure using M6 x 12mm bolts (T). Attach the two castors (P) and two swivel castors (O) to the bottom panel (E). Quantity (T) 20 PCS.



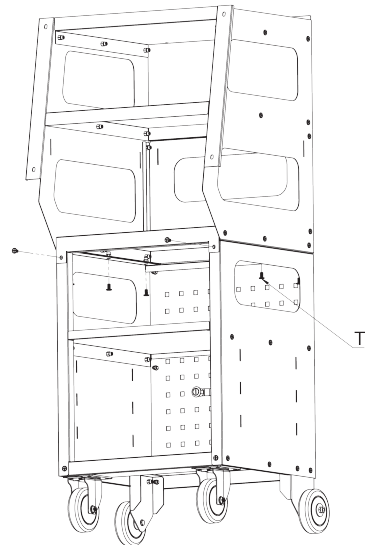
Step 3

Attach the top shelf (A), shelf (B), shelf (C), top left side panel (H) and top right side panel (I) to create the top assembly. Secure using M6 x 12mm bolts (T). Quantity (T) 20 PCS.



Step 4

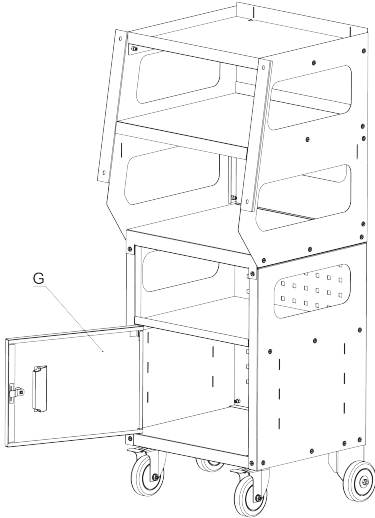
Attach the top assembly to the lower assembly. Secure using M6 x 12mm bolts (U). Quantity (T) 8PCS.



ASSEMBLY

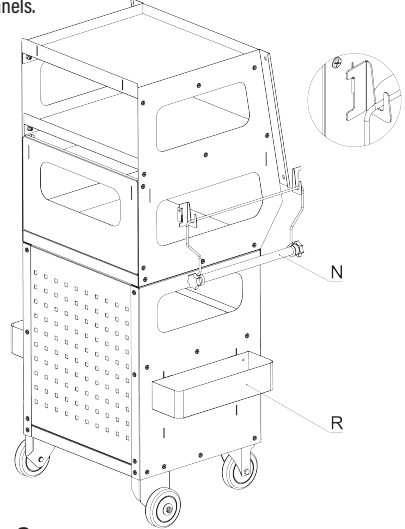
Step 5

Attach the door (G) to the main structure.



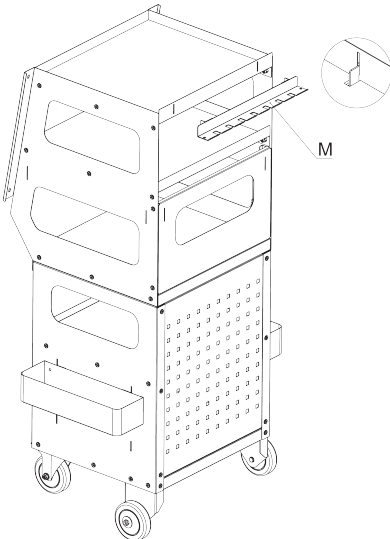
Step 6

Attach the paper towel holder (N) and can holders (R) to the side panels.



Step 7

Attach tool holder (M).



Step 8

Attach the side handles (Q) to the top of the trolley. Secure using M6 x 12mm bolts (T). Quantity (T) 4 PCS.

